

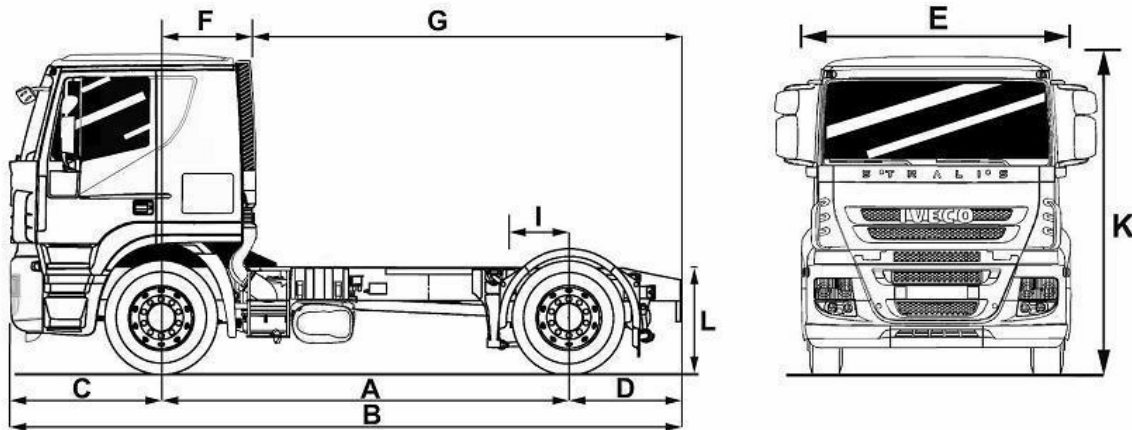
IVECO

STRALIS

ACTIVE TIME AT440S36T/P

E5

4x2 Tractor



PLATED/DESIGN WEIGHTS (kg)		GVW	GTW	Front Axle	Rear Axle		
Plated weights		18000	36000	7100	11500		
Design weights		19000	44000	8000	13000		
KERBWEIGHTS (kg) – WHEELBASE		3650	3800				
Front/Rear		4270/1785	4280/1795				
Total		6055	6075				
TRAILER/ PAYLOAD @ 36000 (kg) GTW		29945	29925				
DIMENSIONS (mm)							
A	Wheelbase	3650	3800				
B	Overall length (over bumpers)	6108	6258				
C	Front overhang	1410	1410				
D	Rear overhang	1048	1048				
E	Cab width (over front bumper)	2550	2550				
F	C/line f/axle to back of cab equip	940	940				
G	Back of cab to end of frame	3758	3908				
I	Fifth wheel position						
	(Assuming 13.6m trailer)	Maximum	580	780			
		Minimum	530	680			
K	Cab height (unladen r.o.f.)	2902	2902				
L	Frame height	978	978				
	Frame thickness	6.7	6.7				
	Turning circle (wall to wall)	14230	14730				
TYRES & WHEELS							
	Tyre Code	Tyre Size		Tread		Wheels	
		Front	Rear	Front	Rear	Front	Rear
Standard		295/80R22.5	295/80R22.5	On Road	Traction	22.5x8.25	22.5x8.25
Optional		305/70R22.5	305/70R22.5	On Road	Traction	22.5x8.25	22.5x8.25
Optional		315/60R22.5	315/60R22.5	On Road	Traction	22.5x9.00	22.5x9.00
Optional		315/70R22.5	315/70R22.5	On Road	Traction	22.5x9.00	22.5x9.00
Optional		385/55R22.5	315/70R22.5	On Road	Traction	22.5x11.75	22.5x9.00
Optional		315/80R22.5	315/80R22.5	On Road	Traction	22.5x9.00	22.5x9.00
Optional		385/65R22.5	315/80R22.5	On Road	Traction	22.5x11.75	22.5x9.00

NOTES
 Weights are to standard specification and include water, oils, 5 litres of AdBlue and 20 litres of fuel but excludes driver. Kerb weights are subject to a manufacturing tolerance of +/-5%. High roof adds 625mm height and 120kg. Full Air Management Kit adds a further 257mm / 414mm and 70kg.
 January 2008

IVECO

STRALIS

ACTIVE TIME AT440S36T/P



4x2 Tractor

ENGINE	Iveco Cursor 8	FUEL TANK	
Cylinders	6	Type	600 litres, aluminium Locking fuel cap
Bore (mm)	115	AdBlue Tank	
Stroke (mm)	140	Type	55 litres, plastic heated.
Capacity (litres)	7.79	ELECTRICS	
Power (PS/kW)	360/265	Type	24v negative earth return
@ rpm	1687-2400	Alternator	28v, 90A
Torque (Nm/lbft)	1500 / 1106	Starter	24v, 5kW
@ rpm	1125 -1687	Battery	2 x 12v, 220Ah
Green Zone @ rpm	1100 -1700	Isolation switch	Electronically controlled All circuits protected by fuses Multiplex 4 CAN line data bus system
Rating	Euro 5	SUSPENSION	
Cooling Fan	3 speed electro- magnetic	Front	Parabolic leaf
Fuel System	Unit Injector System	Rear	Pneumatic (ECAS)
Turbocharger	Variable geometry	Anti-roll bar	Front and rear
Exhaust	SCR catalyst system	Shock Absorbers	Front and rear
Speed Limiter	Standard 90 Kilometer/hr @ 1743 rpm	STEERING	
Engine Immobiliser	Standard	Type	Power assisted
		Ratio	22.2:1 - 26.2:1
GEARBOXES	Eurotronic AS1930 TD	AXLES	
1 st	15.86	Front	Iveco 5876 I-beam with oil filled hubs
2 nd	12.33	Rear	Meritor MS13-175 Hypoid
3 rd	9.57	Diff Lock	Standard
4 th	7.44	Standard Ratios	Eurotronic AS1930 TD gearbox 3.70:1
5 th	5.87	CAB INTERIOR	
6 th	4.57	Active Time Cab: Interior incorporating. Heated air suspended 3-way adjustable driver's seat with pneumatic adjustable lumbar support, and inertia reel belt. Static passenger seat 2-way adjustable with inertia reel belt. Soft feel dashboard with multi-functional steering wheel incorporating touch button menu controls for the real time digital dash display. Satin silver finish instrument dial surrounds, dash and central console inlays. Dual scale speedometer. All gauge functions monitored using international symbols. Heater with 4 speed fan for an airflow up to 600m ³ /hr, 12kW output. Left and right hand entry assist handles. Adjustable steering column, 2 column mounted control stalks, left stalk operating the indicators, main beam, windscreen wash wipe, right stalk operating Eurotronic 2 gear change, engine brake, cruise control and variable speed limiter. Left of the steering column is the dash mounted Eurotronic gearbox controls for automatic and semi-automatic modes, neutral, reverse and low speed manoeuvring mode (forward and reverse). Park brake, cellular phone holder and cup/can holder. Electronic Pto switch and cab preparation. Vehicle data interface (FMS). Overhead console for CB radio. Automatic electronic 2-man tachograph. Remote control radio/CD, aerial and speakers. Two corner spot lamps illuminating cab access. Courtesy and map reading lights. Writing pad. Single low level bunk with under bunk storage, and control panel, incorporating controls for electric windows, (optional electric roof vent), and interior lights, cab heating, alarm clock, and a 12V socket. Eberspacher cab heater. Door roller blinds. Curtains to enclose entire cab area.	
7 th	3.47	CAB EXTERIOR	
8 th	2.70	Active Time Cab: forward control cab. Galvanised pressed steel construction, with SMC for vulnerable parts. New design helical sprung suspension and dampers. Hydraulic cab tilt to 60° deg. Tinted electric door windows and tinted laminated screen. Heated rear-view mirrors, plus kerb, wide-angle mirrors and front view mirror. Grey coloured bumper. Left and right hand external stowage.	
9 th	2.10		
10 th	1.63		
11 th	1.29		
12 th	1.00		
Rev 1	14.68		
Rev 2	11.41		
PERFORMANCE			
– with Eurotronic AS1930 TD gearbox and standard tyres			
Axle ratios available	3.36	3.70	4.11
Geared speed (mph)	87	79	71
Gradeability	40+	40+	40+
(% @ 3600kg GTW)			
CLUTCH			
Type	Single plate, diaphragm spring, pull type. Asbestos free		
Diameter / Friction area	406 mm / 854 cm ²		
BRAKES			
Type	Electronic brake limitation (EBL)		
Front	436mm ventilated disc		
Rear	436mm ventilated disc		
Park brake	Actuates spring brake chambers on front axle and drive axle		
Iveco turbo brake (de-compression engine brake)	Standard		
Heated air drier	Standard		
Air reservoirs	Aluminium		
ABS	Standard		
ASR Traction Control	Optional		
CHASSIS			
Type	Ladder construction with pressed steel side members and riveted and bolted cross members. Catwalk and step, trailer air (C couplings) and electrical connections, 5 th wheel mounting plates, trailer coupling lamp.		